

# GoCard

Transfer foil printers for single cards



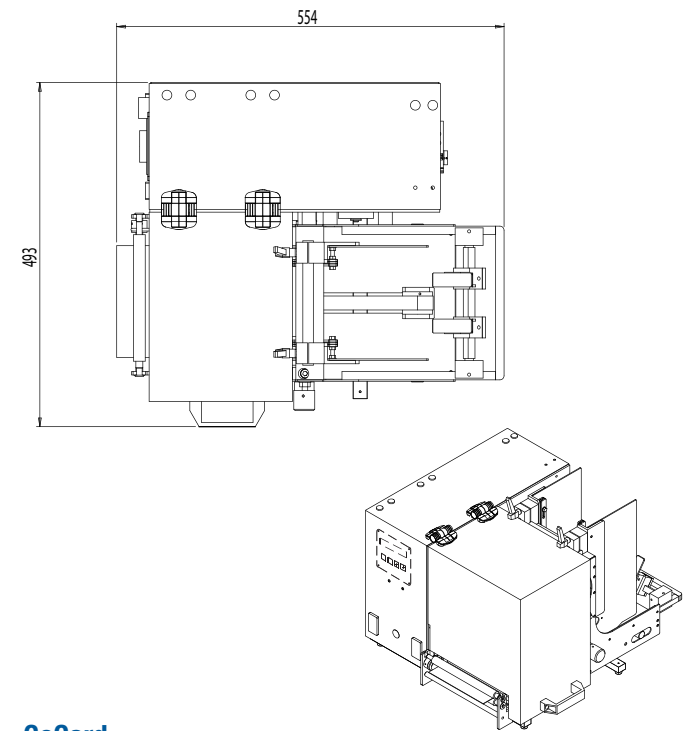
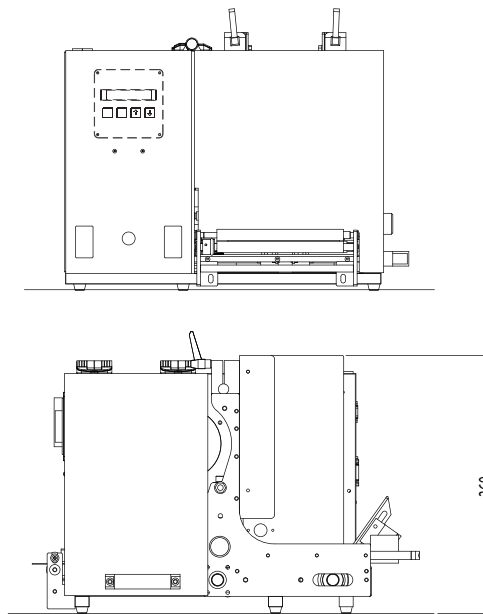
## Transfer foil printer

Flexible and versatile, GoCard is a desktop thermal printer which prints easily on cards and carton pieces of different sizes, dimensions and shapes.

The cards are stored and fed by the back stacker through a feeding system; once they reach the print position, the printer overprints texts, barcodes, and variable data with an extreme print quality and efficacy.

GoCard is particularly used in the food industry, in fashion, gardening and many more sectors.

Etipack reserves the right to modify according to the technical evolution, without notice. All the rights of intellectual and technological ownership are reserved.



## TECHNICAL SPECIFICATIONS

	GoCard
<b>Resolution</b>	12 dots/mm
<b>Maximum print speed</b>	150 mm/s
<b>Print area width</b>	107 x 195 mm
<b>Minumum card size</b>	75 x 50 mm
<b>Maximum card size</b>	160 x 200 mm
<b>Maximum stacker capacity</b>	250 mm
<b>Minumum and Maximum weight</b>	80 - 200 g/m <sup>2</sup>
<b>Ribbon length</b>	600 m
<b>Memory</b>	RAM 256 MB - 512 MB
<b>Interfaces</b>	Ethernet - RS 232
<b>Machine size length - width - h</b>	554 x 493 x 369 mm
<b>Weight</b>	30 Kg